

Style	Surface Mount Fuse	Surface Mount Fuse	Surface Mount Fuse	Surface Mount Fuse
Dimensions	1.6 x 0.8 mm	3.2 x 1.6 mm	3.2 x 1.6 mm	10.1 x 3 mm
Product picture				
Type	USF 0603	USF 1206	MGA	UMT 250
Rated Voltage	32 VAC/DC	32/63 VAC/DC	32 - 125 VAC/DC	250/125 VAC/DC
Rated Current	0.5 - 5 A	0.375 - 4 A	0.2 - 5 A	0.315 - 4 A
Breaking Capacity	50 A	50 A	50 A	200 A
Comment	ESA approved type on request			
Characteristic	Super-Quick-Acting FF	Super-Quick-Acting FF	Super-Quick-Acting FF	Time-Lag T
Approvals	CCC	CCC	CCC	CCC JET CCC UL
Catalogue page	xxx	xxx	xxx	xxx

Style	Surface Mount Fuse	Surface Mount Fuse	Surface Mount Fuse	Surface Mount Fuse
Dimensions	7 x 2 mm	7 x 2.54 mm	7 x 2 mm	7 x 2.54 mm
Product picture				
Type	172876	MKF	MSB	MKT
Rated Voltage	63 - 125 VAC/DC	63 - 125 VAC/DC	65 - 125 VAC/DC	65 - 125 VAC/DC
Rated Current	0.063 - 15 A	0.063 - 15 A	0.75 - 15 A	2 - 15 A
Breaking Capacity	300 A	300 A	50 A - 150 A	50 A - 150 A
Comment				
Characteristic	Quick-Acting F	Quick-Acting F	Time-Lag T	Time-Lag T
Approvals	UL	UL	UL	UL
Catalogue page	xxx	xxx	xxx	xxx

Style	Surface Mount Fuse	Surface Mount Fuse	Surface Mount Fuse	Surface Mount Fuse
Dimensions	7.4 x 3.1 mm	12 x 5.2 mm	7.4 x 3.1 mm	12 x 5.2 mm
Product picture				
Type	OMF 63	OMK 63	OMF 125	OMK 125
Rated Voltage	63 VAC/DC	63 VAC/DC	125 VAC/DC	125 VAC/DC
Rated Current	0.063 - 10 A	0.063 - 5 A	0.063 - 10 A	0.063 - 5 A
Breaking Capacity	50 A	50 A	100 A	100 A
Comment				
Characteristic	Quick-Acting F	Quick-Acting F	Quick-Acting F	Quick-Acting F
Approvals	UL SF CCC	CCC	UL CCC	CCC
Catalogue page	xxx	xxx	xxx	xxx

USF 0603



UL 248-14 · 32 VAC/DC · Super-Quick-Acting FF



Description

- Directly solderable on printed circuit boards

Standards

- UL 248-14
- CSA C22.2 no. 248.14

Approvals

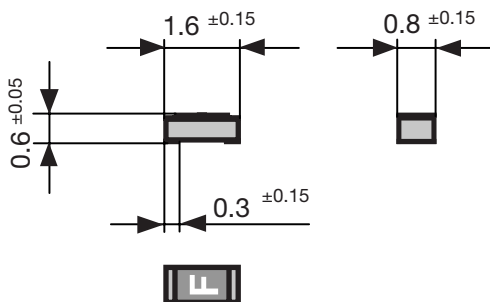
- UL File Number: E41599

Technical Data

Rated Voltage	32 VAC/DC
Rated Current	0.5 - 5 A
Breaking Capacity	50 A
Characteristic	Super-Quick-Acting FF
Mounting	PCB,SMT
Admissible Ambient Air Temp.	-55 °C to 90 °C
Climatic Category	55/090/21 acc. to IEC 60068-1
Material: Housing	Epoxyd Glass, UL 94V-0
Material: Terminals	Tin-Plated Copper
Unit Weight	0.0016 g
Stock Conditions	0 °C to 60 °C, max. 70% r.h.
Product Marking	Letter (see variants)

Soldering Methods	Reflow
Solderability	245 °C / 3 sec acc. to IEC 60068-2-58, Test Td
Resistance to Soldering Heat	260 °C / 10 sec acc. to IEC 60068-2-58, Test Td
Moisture Resistance Test	MIL-STD-202, Method 106E (50 cycles in a temp./mister chamber)
Terminal Strength	MIL-STD-202, Method 211A (Deflection of board 1 mm for 1 minute)
Case Resistance	acc. to EIA/IS-722, Test 4.7 >100 MΩ (between leads and body)
Resistance to Solvents	MIL-STD-202, Method 215A
Flammability	min. UL 94V-1 (acc. to EIA/IS-722, Test 4.12)

Dimensions

Length \bar{H} 1.6 mm


Solder pads

Pre-Arcing Time

Rated Current I_n	1.0 x I_n	
	min.	max.
0.5 A - 5 A	4 h	60 s

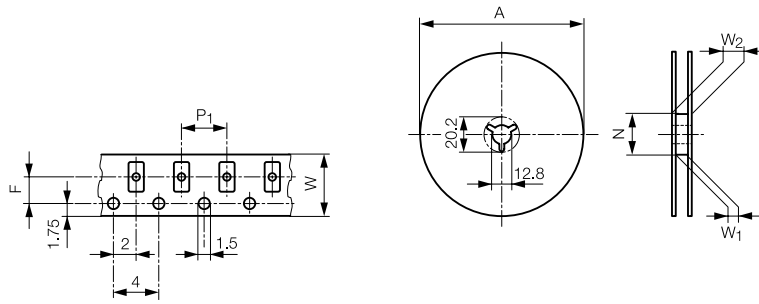
USF 0603

Variants

Order Number	Rated Current [A]	Rated Voltage [V]	Marking	Breaking Capacity	Voltage Drop 1.0 In max [mV]	Voltage Drop 1.0 In typ [mV]	Cold Resistance typ [mΩ]	Melting Pt 8.0 In typ [A ² s]	
3412.0113.xx	0.5	32	F	1)	120	101	157	0.02	● ●
3412.0114.xx	0.75	32	G	1)	120	100	90	0.04	● ●
3412.0115.xx	1	32	H	1)	120	98	75	0.06	● ●
3412.0117.xx	1.25	32	K	1)	120	73	44	0.14	● ●
3412.0119.xx	1.5	32	N	1)	120	70	27.5	0.25	● ●
3412.0120.xx	2	32	O	1)	120	75	23.5	0.4	● ●
3412.0121.xx	2.5	32	P	1)	120	80	18.6	0.58	● ●
3412.0122.xx	3	32	R	1)	120	85	16	0.8	● ●
3412.0123.xx	4	32	S	1)	120	80	12.5	1.1	● ●
3412.0124.xx	5	32	T	1)	120	70	10	1.5	● ●

1) 50 A @ 32 VAC , p.f. ≥ 0.95 / 50 A @ 32 VDC

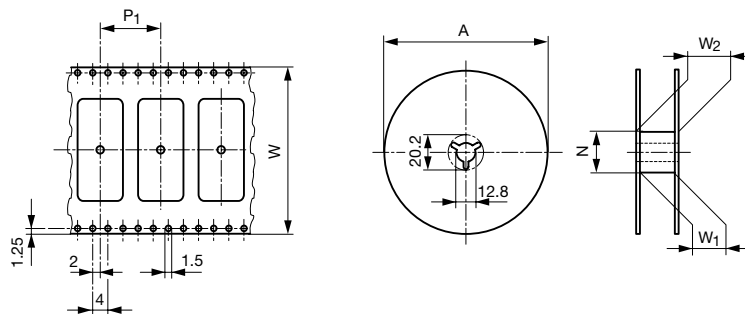
Packaging Unit	
.22	Blister Tape 18 cm Reel (1000 pcs.)
.24	Blister Tape 18 cm Reel (5000 pcs.)
.26	Blister Tape 33 cm Reel (15000 pcs.)



Blister tape and Reel Dimensions

according to IEC 60286-3

Type	P1 [mm]	F [mm]	W [mm]	N [mm]	W1 [mm]	W2 [mm]	A							
							750 Pcs.	1000 Pcs.	1500 Pcs.	2000 Pcs.	3000 Pcs.	5000 Pcs.	10000 Pcs.	15000 Pcs.
USF 0603	4	3.5	8	62	8.4	14.4		180 mm					180 mm	330 mm
USF 1206	4	3.5	8	62	8.4	14.4		180 mm					180 mm	330 mm
MGA	4	3.5	8	62	8.4	14.4	180 mm					180 mm		330 mm
UMT 250	8	11.5	24	62	24.4	30.4					330 mm			
172876	4	5.5	12	62	12.4	18.4			180 mm				330 mm	
MKF	4	5.5	12	62	12.4	18.4	180 mm [500 Pcs.]	180 mm						
MSB	4	5.5	12	62	12.4	18.4			180 mm				330 mm	
MKT	4	5.5	12	62	12.4	18.4	180 mm [500 Pcs.]	180 mm						
OMF 63	8	7.5	16	62	16.4	22.4	180 mm					330 mm		
OMK 63	8	11.5	24	62	24.4	30.4					330 mm			
OMF 125	8	7.5	16	62	16.4	22.4	180 mm					330 mm		
OMK 125	8	11.5	24	62	24.4	30.4	180 mm			330 mm				
OMT 125	8	7.5	16	62	16.4	22.4	180 mm					330 mm		
OMZ 125	8	11.5	24	62	24.4	30.4	180 mm			330 mm				
OMF 250	8	11.5	24	62	24.4	30.4						330 mm		
OMT 250	8	11.5	24	62	24.4	30.4						330 mm		
TF 600	8	11.5	24	62	24.4	30.4						330 mm		
OSU 125	8	7.5	16	62	16.4	22.4	180 mm					330 mm		
OSU 250	8	11.5	24	62	24.4	30.4						330 mm		
OMH 125	8	11.5	24	62	24.4	30.4	180 mm			330 mm				
PFNF	4	3.5	8	62	8.4	14.4							180 mm	
PFMF	8	5.5	12	62	12.4	18.4				180 mm	180 mm			
PFDF	8	7.5	16	62	16.4	22.4							360 mm	
PFSM	8/12	7.5	16	62	16.4	22.4					360 mm	360 mm		
PFHT	8/12	7.5	16	62	16.4	22.4					360 mm	360 mm		



Blister tape and Reel Dimensions

according to IEC 60286-3

Type	P1 [mm]	W [mm]	N [mm]	W1 [mm]	W2 [mm]	A		
						250 Pcs.	400 Pcs.	2000 Pcs.
SMD-FST	8	32	100	32.4	38.4			380 mm
SMD-SPT	8	32	100	32.4	38.4			380 mm
SMD-FTT	8	32	100	32.4	38.4			380 mm
OGN-SMD	16	44	100	44.4	50.4		380 mm	
FPG7	16	56	150	56.4	62.4	380 mm		